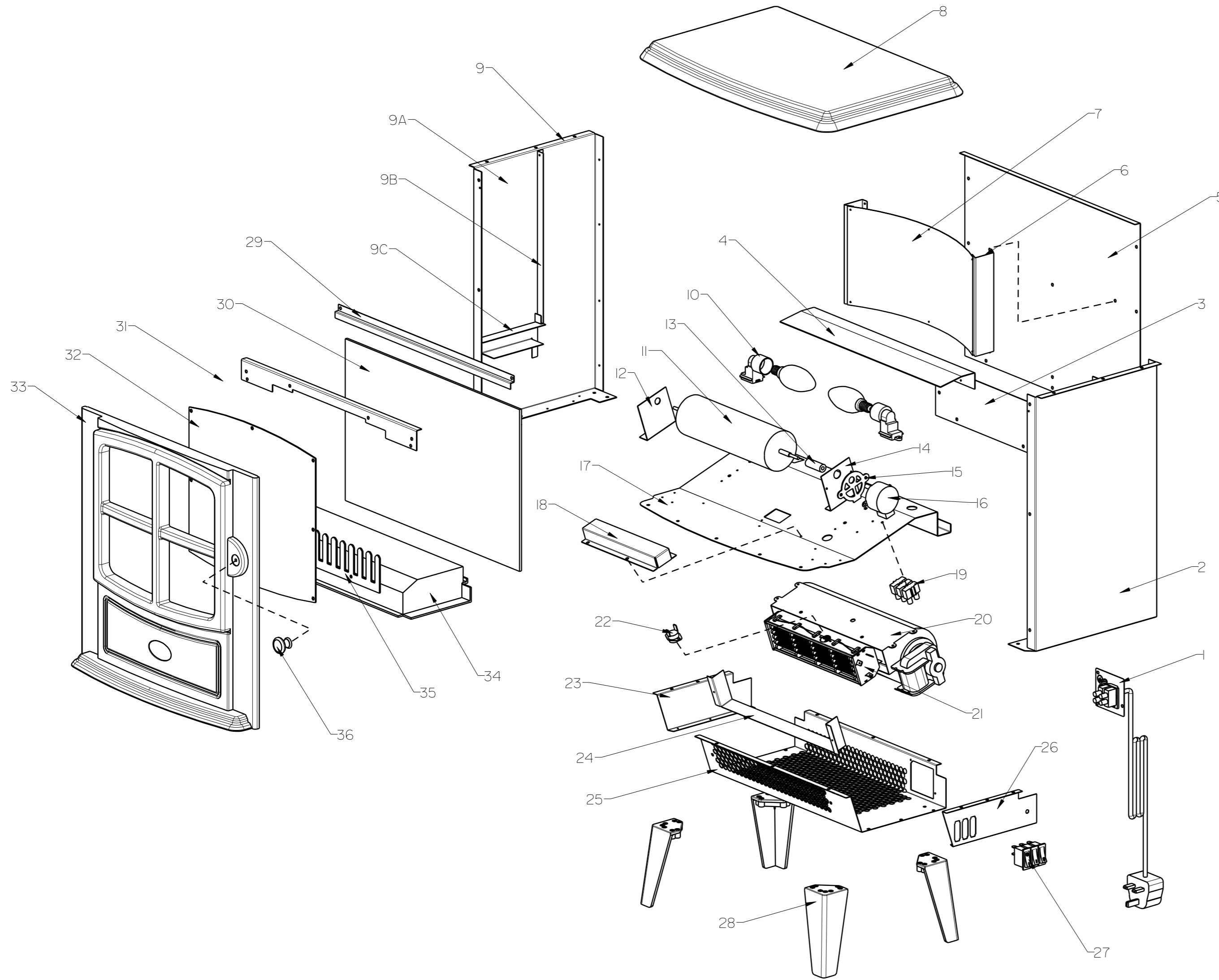


ABCDEFGH



SCALE 0.200

Item	Part No	Description	Comment
1	1/61901/0	STOVE TERMINAL BKT	
2	2/60624/0	SIDE SW ASSY RH	
3	1/64955/0	LAMP COVER	DNA REF 10I2040000
4	1/64961/0	LIGHT BAFFLE	DNA REF 10I2030000
5	1/64954/0	BACKPANEL	SIMILAR TO DNA REF 10I2020000
6	1/61864/0	REFLECTOR FIXING BKT	
7	1/62103/0	FLAME REFLECTOR	
8	1/61851/0	MDF TOP	
9	2/60625/0	SIDE SW ASSY LH	
9A	1/64957/0	SIDE PANEL LH	SIMILAR FORM TO DNA REF 10I2000000
	1/64956/0	SIDE PANEL RH	
9B	1/64960/0	GLASS SUPPORT BKT LH	RH - 1/64959/0 DNA REF 10I1980100
9C	1/64962/0	FUEL BED SUPPORT	DNA REF 10I1970100
10	3/21824/0	E14 FUERJ BULB HOLDER	
11	3/21307/0	SPRINGBORNE ROTISSERIE	
12	1/64965/0	AXIAL BKT	
13	1/28503/0	RUBBER GROMMET	
14	1/64966/0	GEAR MOTOR BKT	DNA REF 10I2060000
15	1/62957/0	GEAR MOTOR PAD	
16	3/21592/0	GEAR MOTOR	
17	1/64953/0	INNER BASE	SIMILAR FORM TO DNA REF 10I2050000
18	1/64967/0	CUT OUT COVER	
19		TERMINAL BLOCK	
20	3/21655/0	FUERJ ELEMENT BLOWER	
21	3/21652/0	SPRINGBORNE ELEMENT	
22	3/21836/0	CUT OUT KSD30I 90C	
23	1/61859/0	HEAT BOX SIDE LH	
24	1/61841/0	HEAT BAFFLE	
25	1/61831/0	HEAT BASKET	
26	1/61860/0	HEAT BOX SIDE RH	
27	3/21660/0	FUERJ SWITCH 2 POLE	
28	1/61016/0	STOVES FOOT	
29	1/65088/0	TOP GLASS BKT	
30	1/65087/0	REAR GLASS	
31	1/64958/0	TOP SUPPORT BKT	
32	1/61877/0	DOOR GLASS	
33	1/61852/0	BRAYFORD FRONT FRAME	
34	1/65089/0	MINISTOVE FUEL BED	
35	1/61870/0	FUEL EFFECT GRILL	
36	1/64496/0	DOOR KNOB TOP & BODY	
	1/64497/0		

ISSUE	MODIFICATIONS	APPD	DATE
A	RELEASED FOR SAMPLING		22.05.06
B	REFLECTOR FIXING BKT CHANGED. CORRECT PART 1/61864/0.	IMcA	07.11.06

NOTES	
DO NOT SCALE	THIRD ANGLE PROJECTION
IF IN DOUBT ASK	

GLEN DIMPLEX RESEARCH & DEVELOPMENT Dunleer, Co.Louth, Ireland. Tel: 041 9800204. Fax: 041 6851464.				
DRAWN BY	DATE	SCALE	HOLE TOL	GEN TOL
IMcA	22.05.06	0.200	+/-0.05	0 +/-0,4
APP'D BY	DATE	DIM IN	ANGLES	0,0 +/-0,2
		mm	+/-0,5°	0,00+/-0,1
MATERIAL		SEE INDIVIDUAL PARTS		R.o.H.S. All material must comply with the requirements of European Directive 2002/95/EC on the restriction of the use of certain hazardous substances.
FINISH		SEE INDIVIDUAL PARTS		

THIS DRAWING IS SUPPLIED IN CONFIDENCE AND THE COPYRIGHT THEREOF IS THE PROPERTY OF GLEN DIMPLEX. IT MUST NOT BE USED BY A THIRD PARTY WITHOUT PRIOR PERMISSION. © 2006	
PROJECT	BRAYFORD 2006
TITLE	EXPLODED VIEW DWG
DRG NO	7/19547/0
NO OFF.	
A2	Sh1 of 1

ABCDEFGH